

DRIVER: _____

DATE: _____

- OPEN
- MEDIUM
- TIGHT

- HIGH
- MEDIUM
- LOW

- SMOOTH
- MEDIUM
- BUMPY

FRONT SUSPENSION

IN: _____
TOE ANGLE: OUT: _____

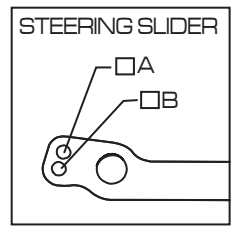
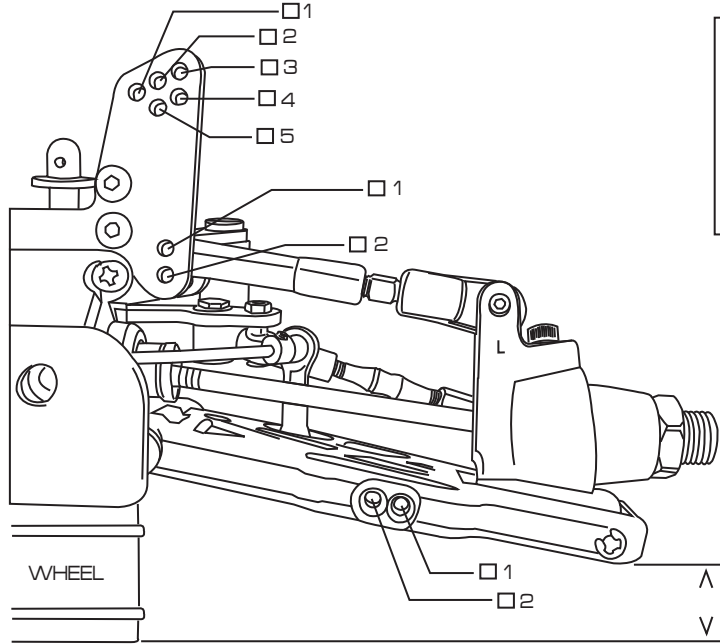
RIDE HEIGHT
FRONT: _____

CAMBER: _____

REBOUND STOP: _____

CASTER 17° 20° 22°

SWAY BAR 2.4mm 2.6mm



FRONT SHOCKS

OIL: _____
PISTONS: _____ STANDARD DRILLED _____
SPRING: _____

NOTES: _____

REAR SUSPENSION

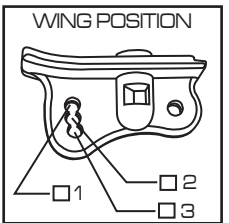
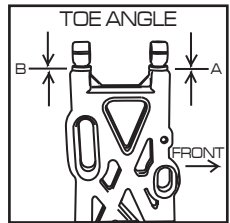
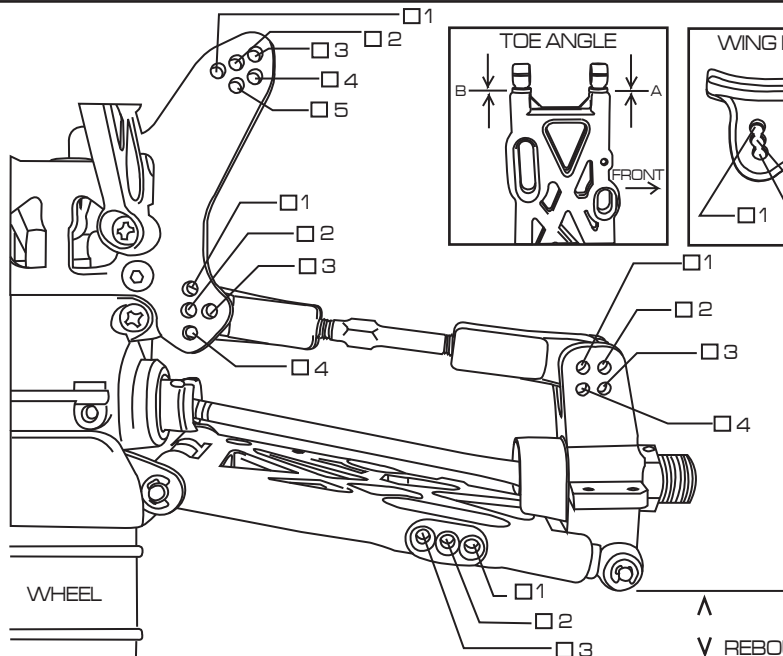
A: _____
TOE ANGLE: B: _____

RIDE HEIGHT
REAR: _____

CAMBER: _____

REBOUND STOP: _____

SWAY BAR 2.8mm



REAR SHOCKS

OIL: _____
PISTONS: _____ STANDARD DRILLED _____
SPRING: _____

NOTES: _____

DIFF OIL FRONT: _____ CENTER: _____ REAR: _____

TIRES FRONT REAR
TYPE: _____ TYPE: _____
INSERT: _____ INSERT: _____

ENGINE TYPE: _____ MUFFLER: _____
GASKET: _____mm FUEL: _____
PLUG: _____

CLUTCH CLUTCH BELL 13T 14T OTHER ___T CLUTCH SHOES 3 SHOE 4 SHOE