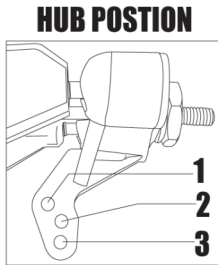
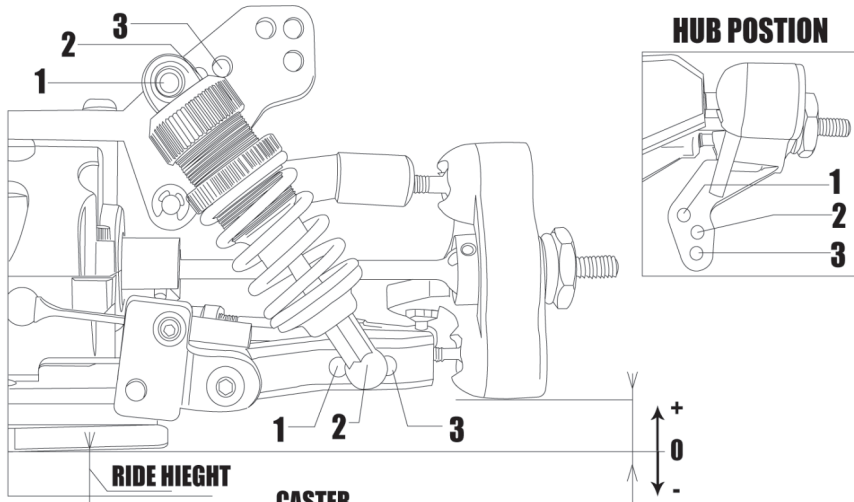


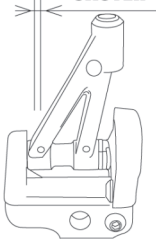


SETTING SHEET Ver1.00

NAME		TEMP		ENGINE		MUFFLER	
DATE		HUMIDITY		HEAD CLEARANCE	mm	FUEL/TYPE	
TRACK		TRACTION		PLUG NO.		RADIO	



CASTER	ANGLE
3mm	11°
2mm	13°
1mm	15°



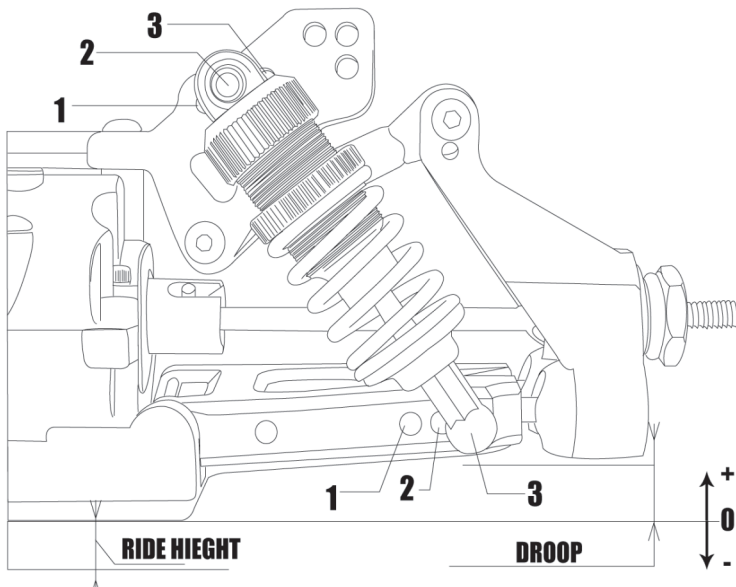
DROOP



FRONT DIFF.

GEAR DIFF	
OIL	#
ONE-WAY	

TRACK WIDTH			mm
RIDE HIEGHT			mm
CAMBER ANGLE	L	3° 2.5° 2° 1.5° 1° .05° 0°	
	R	3° 2.5° 2° 1.5° 1° .05° 0°	
SUSPENSION BLOCKS	F	2.5° 1.5° 0°	
	R	2.5° 1.5° 0°	
CASTER ANGLE	3mm	2mm	1mm
TOE ANGLE			°
DROOP			mm
SHOCKTOWER	1	2	3
LOWER A-ARM	1	2	3
PISTON			
OIL			#
SPRING			
SHOCK LENGTH			mm
ANTIROLL BAR			⊖ ⊗ ⊘ ⊙ ⊕
TIRE HARDNESS			32 35 37 40 42 45
TIRE TYPE			
TIRE DIAMETER			mm



TRACK WIDTH			mm
RIDE HIEGHT			mm
CAMBER ANGLE	L	3° 2.5° 2° 1.5° 1° .05° 0°	
	R	3° 2.5° 2° 1.5° 1° .05° 0°	
SUSPENSION BLOCKS	F	2.5° 1.5° 0°	
	R	2.5° 1.5° 0°	
TOE ANGLE			°
DROOP			mm
SHOCKTOWER	1	2	3
LOWER A-ARM	1	2	3
PISTON			
OIL			#
SPRING			
SHOCK LENGTH			mm
WIRE TYPE			
ANTIROLL BAR			mm
			⊖ ⊗ ⊘ ⊙ ⊕
TIRE HARDNESS			32 35 37 40 42 45
TIRE TYPE			
TIRE DIAMETER			mm
TIRE WIDTH			

CLUTCH TYPE		PINIONS	16 17 18 19 / 20 21 22 23 24
CLUTCH SHOES		GEARS	37 38 39 40 41 42 43 44
CLUTCH SPRING		BODY	
CLEARANCE	mm	RACE TIME	
ADJ. NUT	mm	BEST LAP	

COMMENTS :

REAR DIFF.	
GEAR DIFF	
OIL	#