



SETUP SHEET TRACK: SIZE: TRACTION: SURFACE:
 DRIVER: Steve Nguyen
 DATE: 7/25/05

- OPEN
 MEDIUM
 TIGHT

- HIGH
 MEDIUM
 LOW

- SMOOTH
 MEDIUM
 BUMPY

FRONT SUSPENSION

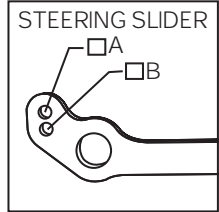
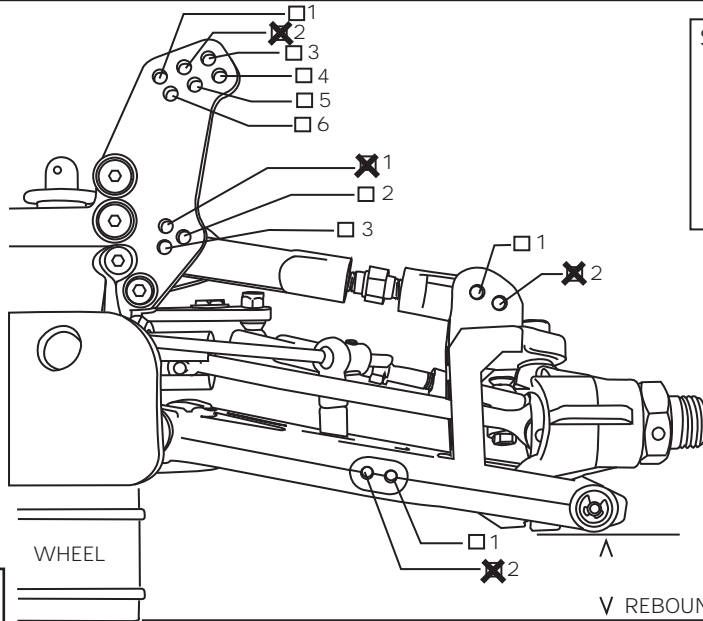
TOE ANGLE IN: _____
 OUT: 1

RIDE HEIGHT
 FRONT: Drive shaft level

CAMBER POS: _____
 NEG: 2

REBOUND STOP: None

SWAY BAR 2.5mm
 OTHER _____



FRONT SHOCKS

OIL: 30
 PISTONS: 2° STANDARD DRILLED
 SPRING: Blue

NOTES: _____

REAR SUSPENSION

TOE-IN PLATE: 1° 2° 3°

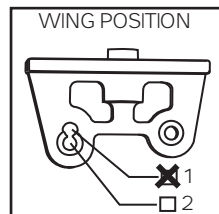
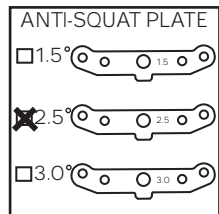
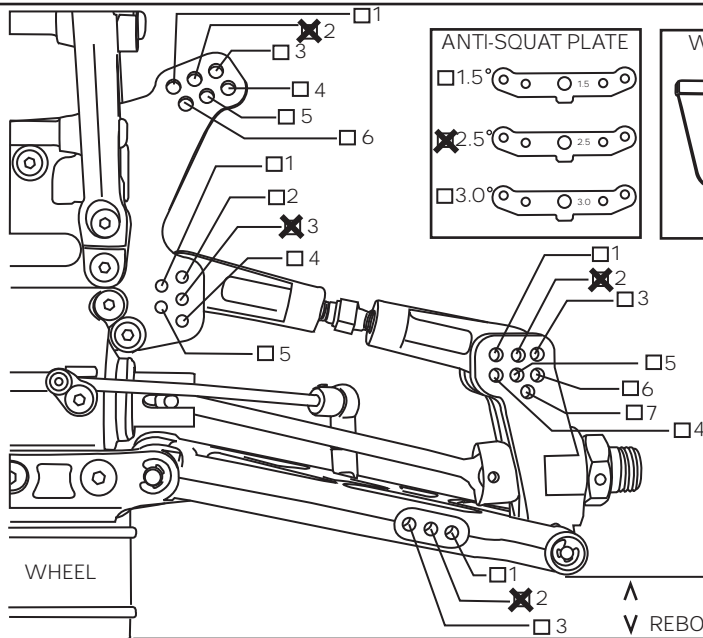
RIDE HEIGHT
 REAR: Drive shaft level

HUB POSITION UPPER: _____
 LOWER: _____

CAMBER POS: _____
 NEG: 2°

REBOUND STOP: None

SWAY BAR 2.5mm
 OTHER _____



REAR SHOCKS

OIL: 25
 PISTONS: 2 STANDARD DRILLED
 SPRING: Blue

NOTES: _____

DIFF OIL FRONT: 7k
 CENTER: 5k
 REAR: 5k

TIRES FRONT TYPE: 8 Shredder
 INSERT: Stock REAR TYPE: Shredder
 INSERT: Stock

ENGINE TYPE: Picco 6-1
 GASKET: _____mm MUFFLER: 053
 PLUG: _____ FUEL: Byron 30

CLUTCH CLUTCH BELL 13T
 14T
 OTHER ___T CLUTCH SHOES 3 SHOE
 4 SHOE