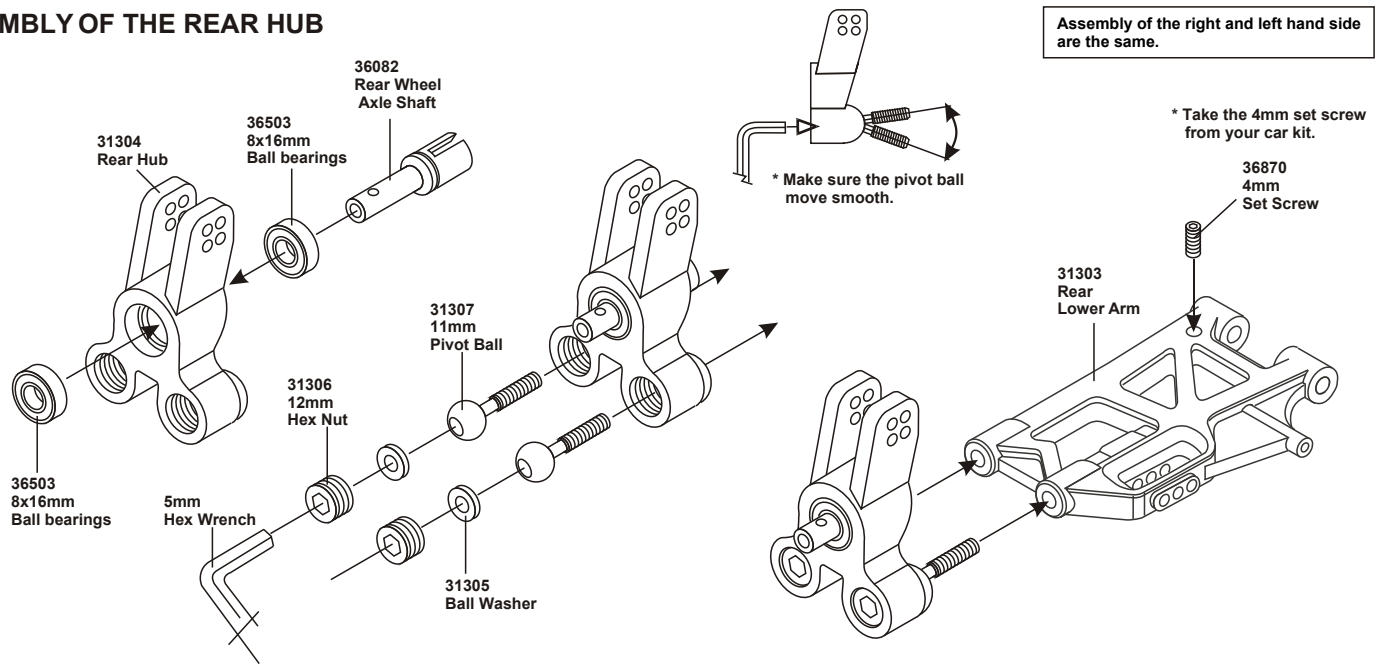


# #31296 Rear Pivot Ball Suspension System, Buggies

( Available For: 1/8 Scale Buggy-Ultra GT LX, Ultra MBX, Worlds, Worlds II )

## ASSEMBLY OF THE REAR HUB



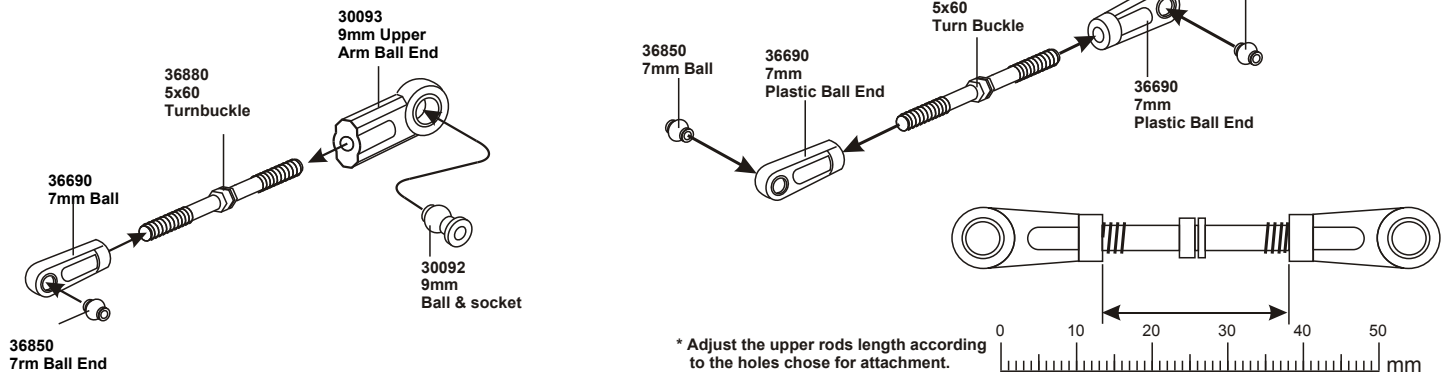
## ASSEMBLY OF THE REAR UPPER ROD

( Builds 2 upper rods for the left and right-hand side.)

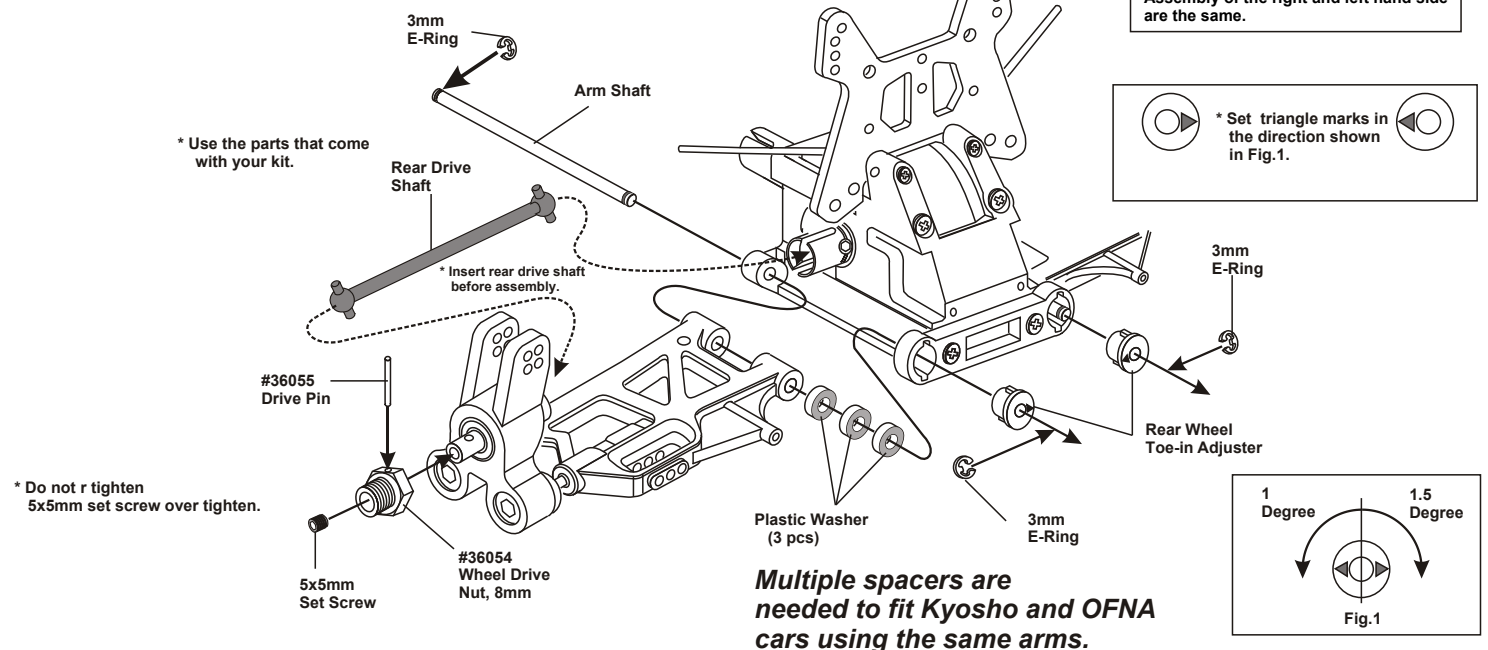
For: Ultra GT LX and Ultra MBX, use 30093 and 30092 from your car.

For: Ultra Worlds, use 30093 and 30092 parts from this kit.

For: Ultra Worlds II, remain the upper rod as shown.

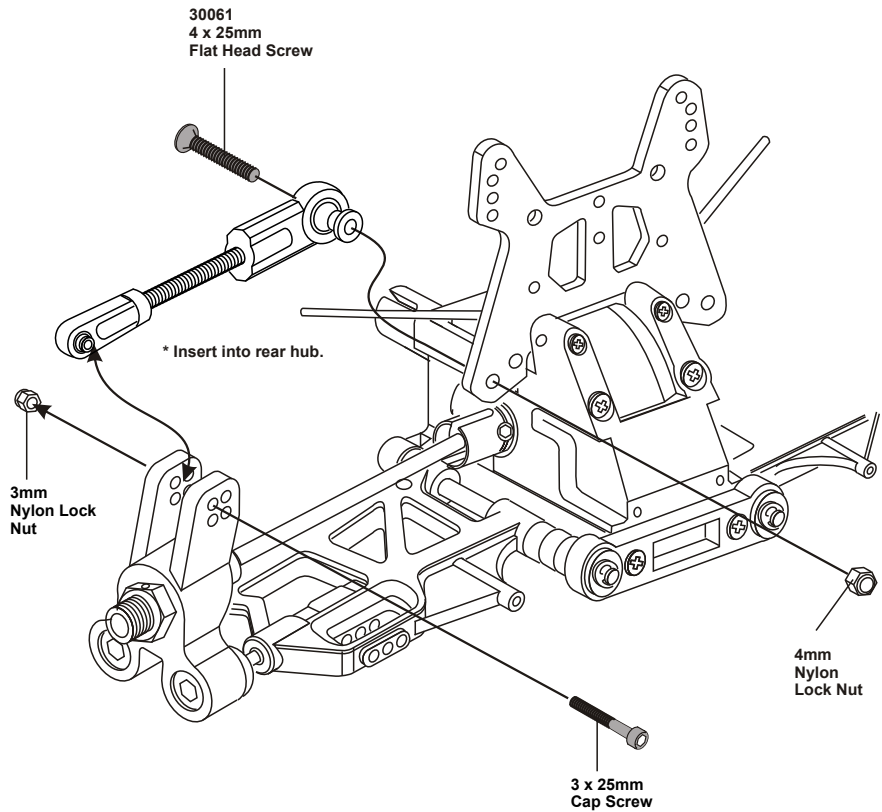


## ASSEMBLY OF THE SUSPENSION ARMS INTO REAR GEAR BOX



# ASSEMBLY OF THE UPPER ROD INTO GEAR BOX

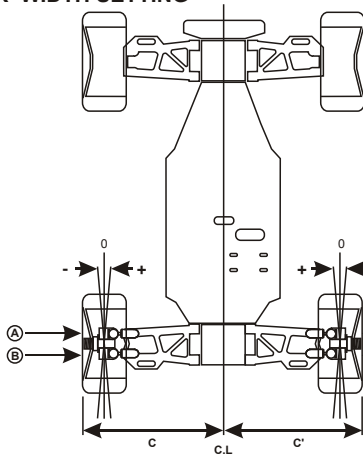
Assembly of the right and left hand side are the same.



ASSEMBLE THE FRONT AND REAR GEAR BOX ONTO CHASSIS AS USUAL.

## SETTING GUIDE

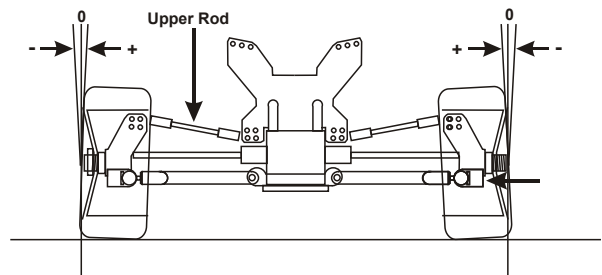
### REAR WIDTH SETTING



Adjust A and B to the same length.  
 Adjusting B longer will make the rear tires toe-in (Positive).  
 Adjusting A longer will make the rear tires toe-out (Negative).

\* Use a 2.5mm hex wrench to adjust the rear track width.

### REAR CAMBER SETTING



The rear camber adjustment can be made by changing the length of the upper rod.  
 Making the upper rod longer will make the camber positive.  
 Making the upper rod shorter will make the camber negative.

## PARTS LIST

Item No.	Description	Qty
#36082	Rear Wheel Axle Shaft	2 pcs
#31303	Rear Lower Arm	1 set
#31304	Rear Hub (Pivot Ball Type)	2 pcs
#31305	Ball Washer	4 pcs
#31306	Alum. Hex Nut	4 pcs
#36054	Wheel Drive Nut	2 pcs
#36503	8x16x5mm Ball bearings	8 pcs
#36055	2.5x17mm Drive Pin	4 pcs
#34010	9mm Upper Arm Ball End	2 pcs
#30092	9mm Ball and Socket	2 pcs

Item No.	Description	Qty
#31307	Pivot Ball	2 pcs
#36890	Front Lower Arm	1 set
#36690	7mm Ball End	4 pcs
#36850	7mm Ball	4 pcs
#36880	5X60 Turnbuckle	2 pcs